



CAPITAL 300 US

CAPITAL 300 US



DESCRIPTION

Combining a minimal, neat design with brilliant performance capabilities, CAPITAL 300 US features an ultra-spot, long-shot beam of light capable of reaching remarkable distances with accurate beam angle definition. It is the ideal solution for an impressive illumination of high-rise buildings calling for a well-defined impact lighting.

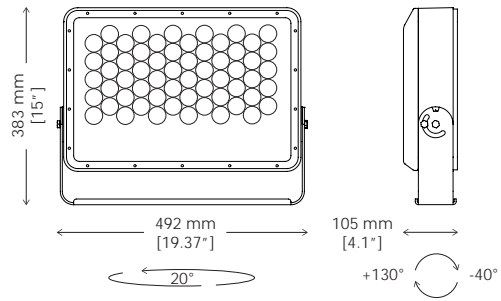
MAIN FEATURES

- Max. delivered lm output: 9970 lm / 64 lm/W
- Size: (HxWxD) 383x492x105 mm / 15x19.4x4.1"
- Control system: DMX-RDM, DALI DT8, DALI, remote wireless data
- Powerful floodlight fitted with efficient ultra-spot optics for long-shot effects at remarkable distances with accurate beam angle definition

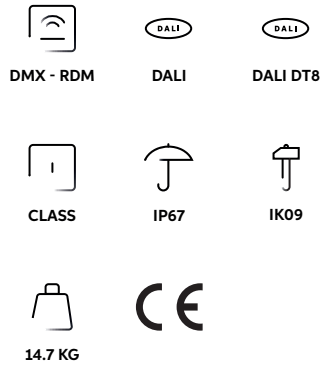
LED COLOUR CONFIGURATIONS



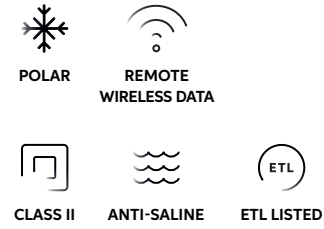
CAPITAL 300 US



FEATURES



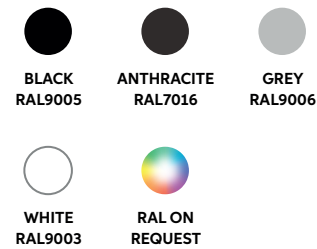
OPTIONS



LED COLOUR CONFIGURATIONS



FINISHES



MORE INFO



CODES

AL5014 CAPITAL 300 US
AL5015 CAPITAL 300 US POLAR EDITION

PERFORMANCE	WATT	MAX LM OUTPUT	LM/WATT
CAPITAL 300 US RGBW	156	6729	43
CAPITAL 300 US DW	156	9970	64
CAPITAL 300 US W	156	9929	64

BEAM ANGLE REFERENCE	RGBW	DW/W
ULTRA SPOT	3.2°	3.2°



Morocco – Noor Tower, Ourzazate